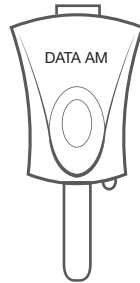
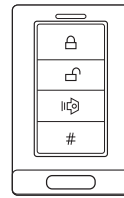


## PARTS

### ANTENNA



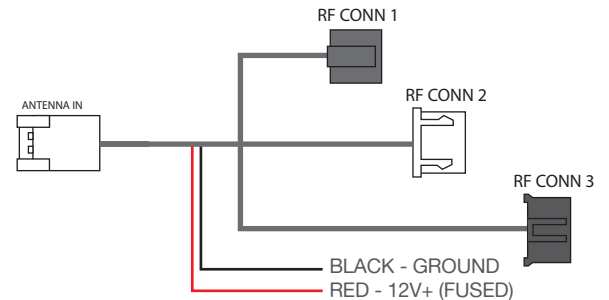
### REMOTES



**x2**

REMOTES MAY BE DIFFERENT THAN PICTURED

### DAC-ADPT



## PROGRAMMING

### DATA PROTOCOL SELECTION

**With the Antenna plugged in and powered up:**

- 1 Leave Ignition in OFF position
- 2 Press programming button (antenna button) 8x within 10 seconds (White LED will flash 2x)
- 3 Choose your protocol below by pressing the programming button:
  - TYPE 1 - Press 2x - Solace RF (Default)
  - TYPE 2 - Press 4x - iDataLink RF
  - TYPE 3 - Press 6x - Fortin RF
  - TYPE 4 - Press 8x - D2D
  - TYPE 5 - Press 10x - Future Use
- 4 After 3 seconds White LED will flash the number of times according to your selection.

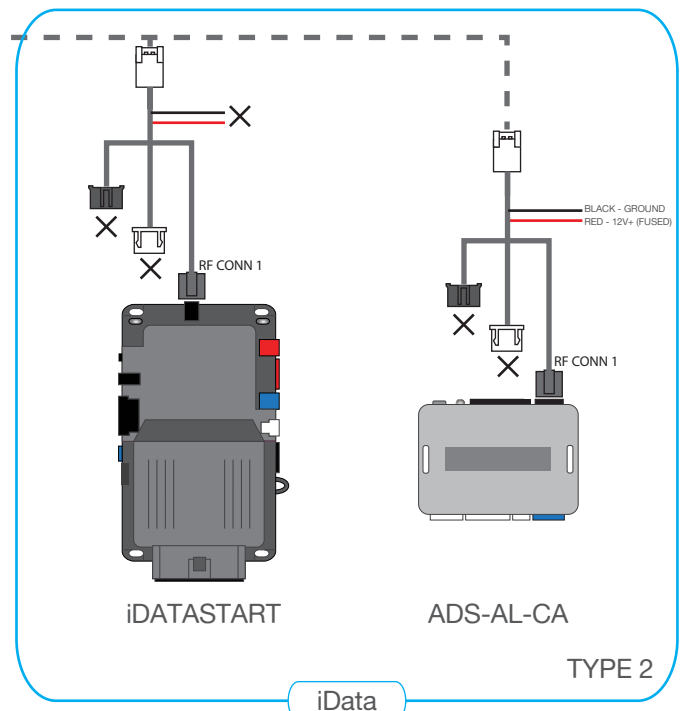
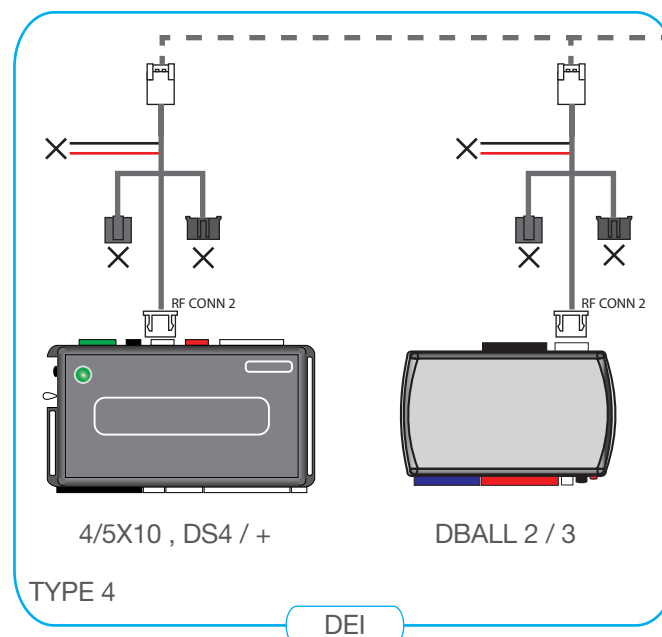
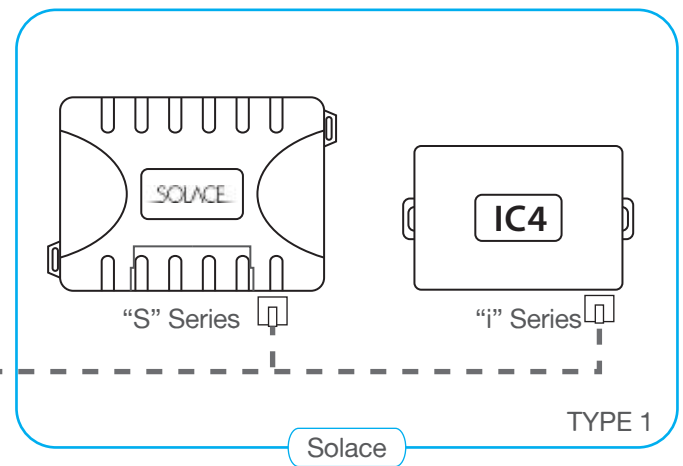
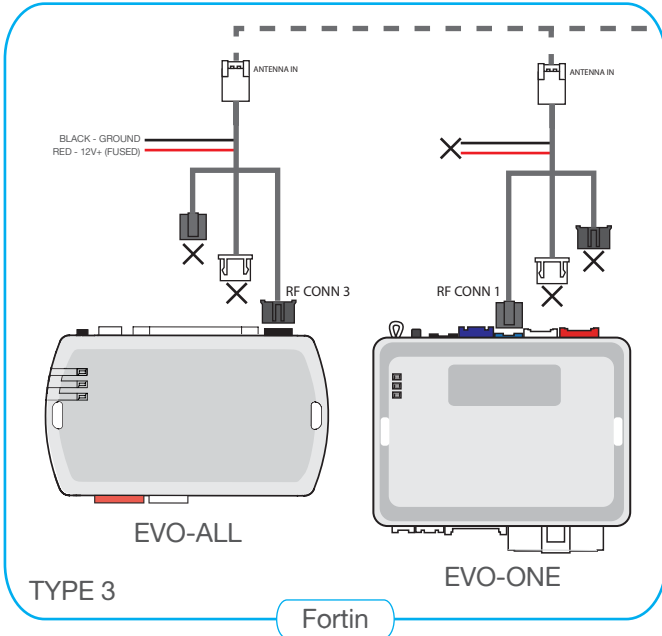
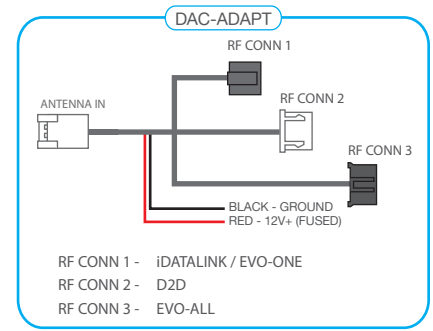
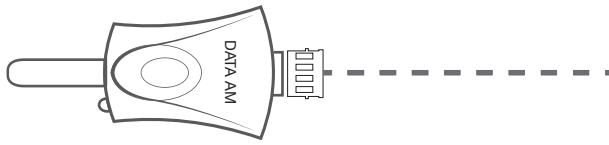
## REMOTE PROGRAMMING

### REMOTE PROGRAMMING - ONLY REQUIRED FOR D2D

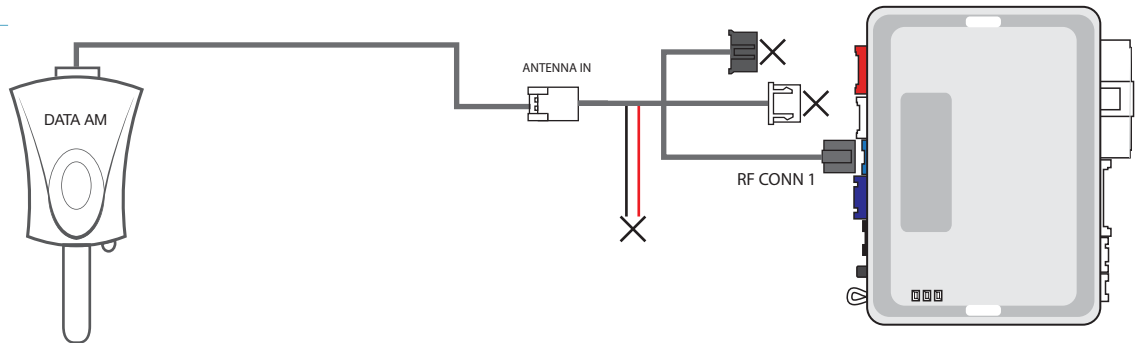
Follow the “Remote Programming Procedure” from the manufactures programming instructions. Visit the appropriate website or download the “LoRa Antenna Full Guide w/modules” at [www.solaceremotestarters.com](http://www.solaceremotestarters.com)

For Devices that do not have a remote coding procedure follow the procedure below.

STEP 1	STEP 2	STEP 3	STEP 4	STEP 5
<p>Turn the Ignition ON then OFF 2x leaving it in the ON position at the 2nd time.</p>	<p>Press and release the programming button on the antenna 2 times. The LED will flash 1x then 2x.</p>	<p>Press and hold for 3 seconds until LED flashes turns on solid. Release programming button.</p>	<p>Press the button on each transmitter. LED on antenna will flash 1x for each remote programmed.</p>	<p>Turn the Ignition OFF to exit programming.</p>



### CONNECTIONS









### PROGRAMMING MODULE

#### DATA PROTOCOL : TYPE 3 - Fortin RF

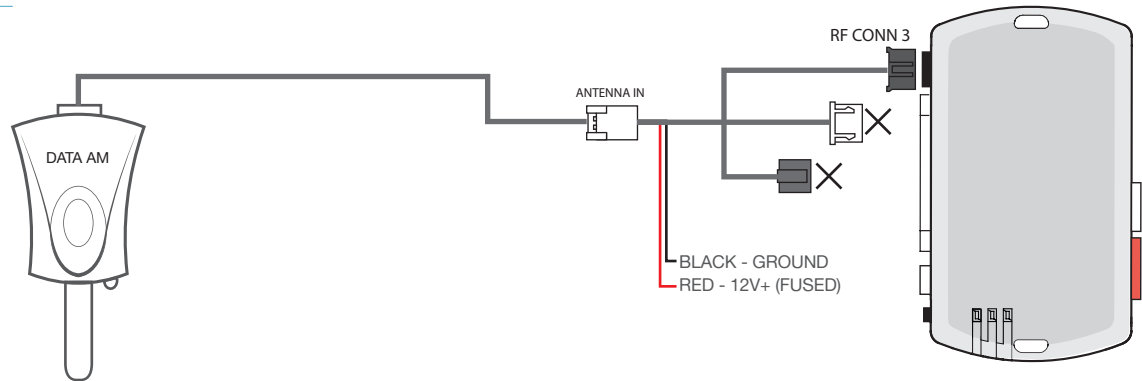
- 1 Run Flashlink Manager, plug in EVO-ONE
- 2 Click Toggle to switch to Remote Starter Connection
- 3 Click Configuration, then select Options
- 4 Under RF Kits select Fortin 2 / Solace / Autoconnect
- 5 Click on "SAVE"

### PROGRAMMING

#### PROGRAMMING REMOTES

STEP 1	STEP 2	STEP 3	STEP 4	STEP 5	STEP 6
 <p>Turn the Ignition ON.</p>	 <p>Press and hold the valet switch until the parking light turn ON, the horn/siren will chirp once.</p>	 <p>Press and release the valet switch five times. The parking lights will flash and the horn/siren will chirp each time to confirm.</p>	 <p>Press and release the brake pedal once</p>	 <p>On each transmitter press lock button. The LED will stop flashing confirming programming</p>	 <p>Turn the Ignition OFF to exit programming</p>

### CONNECTIONS



### PROGRAMMING MODULE

#### DATA PROTOCOL : TYPE 3 - Fortin RF

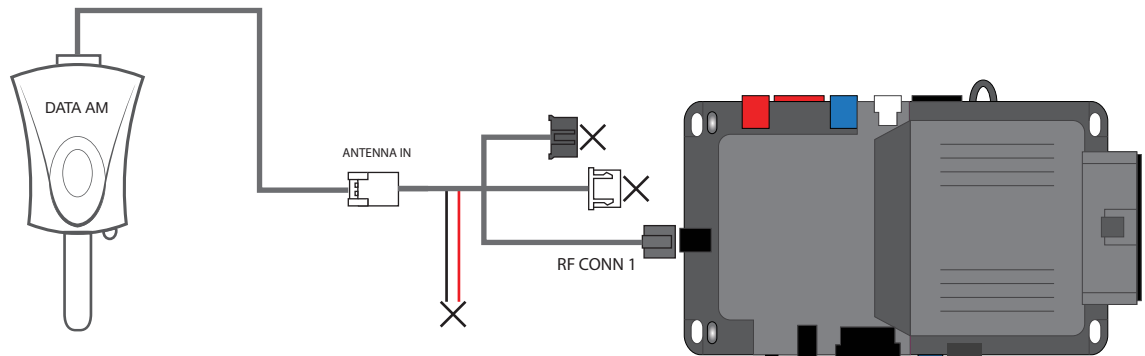
- 1 Run FlashLink Manager, plug in EVO-ALL
- 2 Click on "EVO-ALL OPTIONS" Tab
- 3 Activate "SUPPORTED RF KITS" and Option "H2"
- 4 Click on "SAVE OPTIONS"
- 5 Wait for "Options Saved" message to appear.

### PROGRAMMING

#### PROGRAMMING REMOTES

STEP 1	STEP 2	STEP 3	STEP 4	STEP 5	STEP 6
 <p><b>HOLD</b> ↓</p>	 <p><b>HOLD</b> ↓</p>	 <p>IGN</p>		 <p>x1</p>	 <p>OFF ←</p>
<p>Hold down programming button on EVO-ALL while inserting Datalink Cable. Release on BLUE &amp; RED</p>	<p>Press and hold the programming button, release button when the Blue and Red LED's turn back on</p>	<p>Turn the Ignition ON.</p>	<p>The Yellow LED will turn on</p>	<p>On each transmitter press the lock button. The Blue and Red LED's on EVO-ALL will flash confirming programming.</p>	<p>Turn the Ignition OFF to exit programming</p>

### CONNECTIONS



### PROGRAMMING MODULE

#### DATA PROTOCOL : TYPE 2 - iDATALINK RF

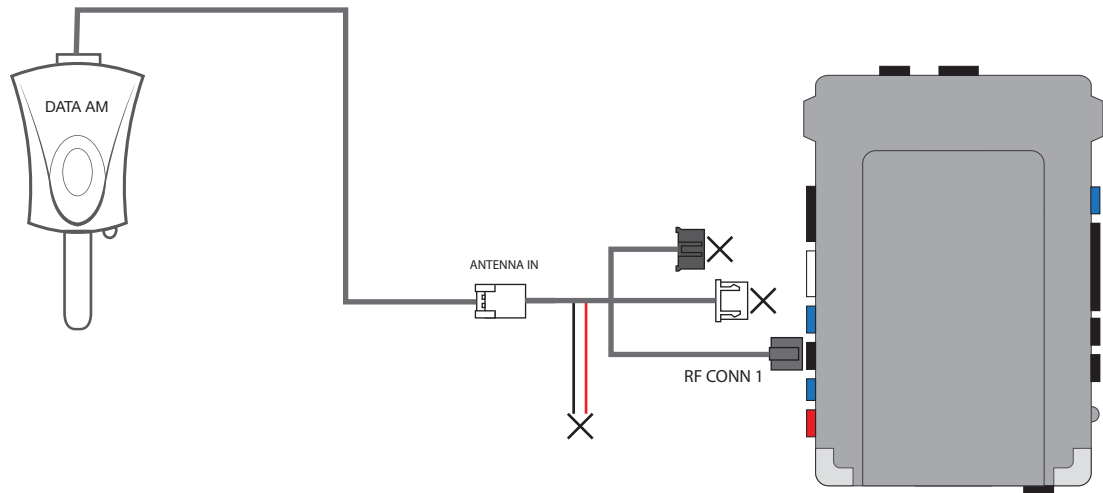
- 1 Open "Weblink Program"
- 2 Choose Year / Make / Model
- 3 Select Connected RF & MY-Start
- 4 Configure module and Flash firmware

### PROGRAMMING

#### PROGRAMMING REMOTES

STEP 1	STEP 2	STEP 3	STEP 4	STEP 5
 <p>Turn the Ignition ON then OFF 5x leaving it in the on position at the 5th time.</p>	 <p>The Red LED will turn on.</p>	 <p>Press Lock on each transmitter to be programmed.</p>	 <p>The LED will flash Green for each remote programmed.</p>	 <p>Turn the Ignition OFF to exit programming.</p>

### CONNECTIONS




### PROGRAMMING MODULE

#### DATA PROTOCOL : TYPE 2 - iDATA LINK RF

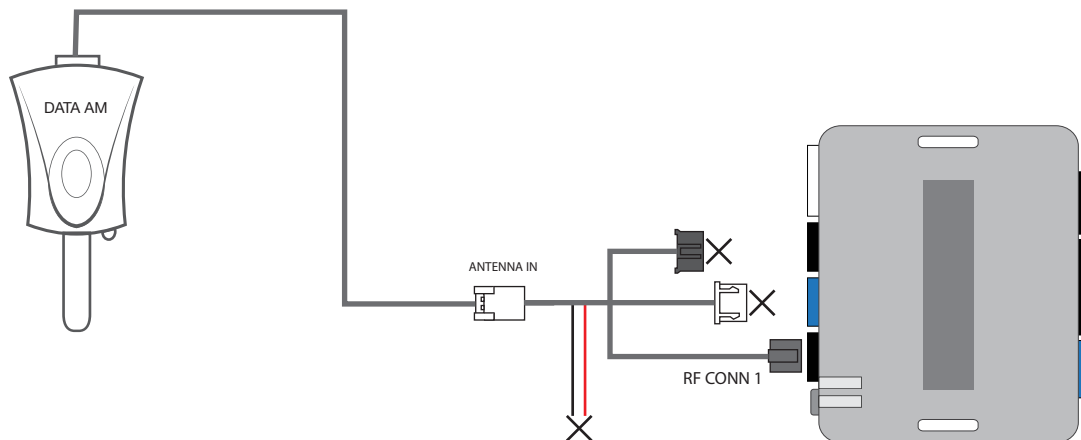
- 1 Open "Weblink Program"
- 2 Choose Year / Make / Model
- 3 Select Connected RF & MY-Start
- 4 Configure module and Flash firmware

### PROGRAMMING

#### PROGRAMMING REMOTES

<p><b>STEP 1</b></p>  <p>Turn the Ignition ON then OFF 5x leaving it in the ON position at the 5th time.</p>	<p><b>STEP 2</b></p>  <p>The Red LED will turn ON.</p>	<p><b>STEP 3</b></p>  <p>Press Lock on each remote to be programmed.</p>	<p><b>STEP 4</b></p>  <p>The LED will flash Green for each remote programmed.</p>	<p><b>STEP 5</b></p>  <p>Turn the Ignition OFF to exit programming.</p>
-------------------------------------------------------------------------------------------------------------------------------------------------------------------------------------------------	-------------------------------------------------------------------------------------------------------------------------------------------	-------------------------------------------------------------------------------------------------------------------------------------------------------------	------------------------------------------------------------------------------------------------------------------------------------------------------------------------	--------------------------------------------------------------------------------------------------------------------------------------------------------------

### CONNECTIONS








### PROGRAMMING MODULE

#### DATA PROTOCOL : TYPE 2 - iDATALINK RF

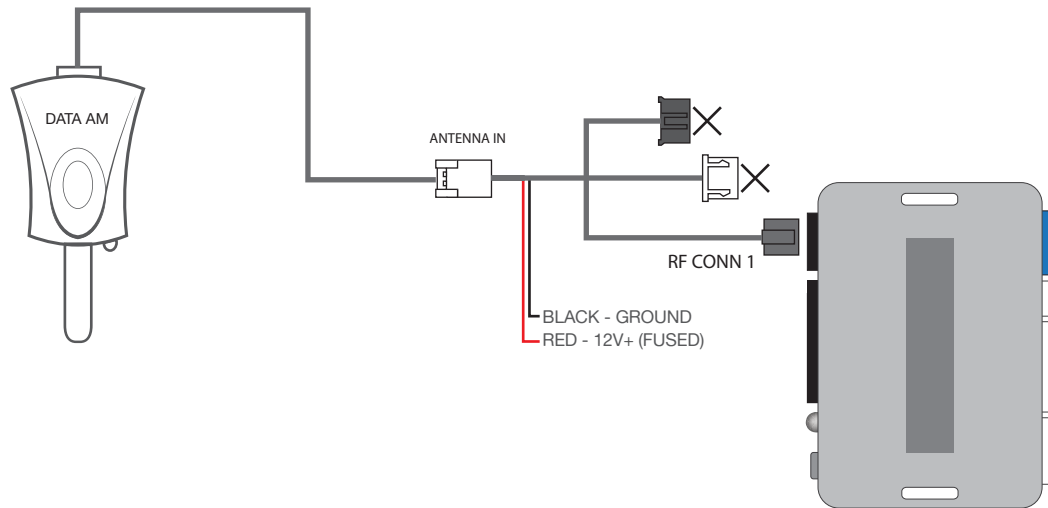
- 1 Open "Weblink Program"
- 2 Choose Year / Make / Model
- 3 Select Connected RF & MY-Start
- 4 Configure module and Flash firmware

### PROGRAMMING

#### PROGRAMMING REMOTES

STEP 1	STEP 2	STEP 3	STEP 4	STEP 5
 <p>Turn the Ignition ON then OFF 5x leaving it in the ON position at the 5th time.</p>	 <p>The Red LED will turn ON.</p>	 <p>Press Lock on each remote to be programmed.</p>	 <p>The LED will flash Green for each remote programmed.</p>	 <p>Turn the Ignition OFF to exit programming.</p>

### CONNECTIONS








### PROGRAMMING MODULE

#### DATA PROTOCOL : TYPE 2 - iDATALINK RF

- 1 Open "Weblink Program"
- 2 Choose Year / Make / Model
- 3 Select Select Connected RF & MY-Start
- 4 Configure module and Flash firmware

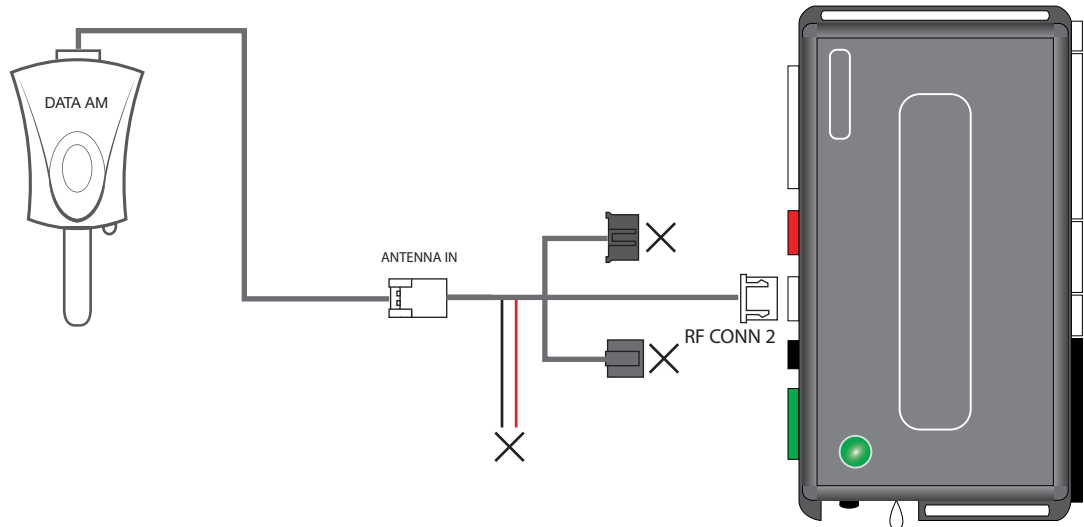
### PROGRAMMING

#### PROGRAMMING REMOTES

STEP 1	STEP 2	STEP 3	STEP 4	STEP 5
 <p>Turn the Ignition ON then OFF 5x leaving it in the ON position at the 5th time.</p>	 <p>The Red LED will turn ON.</p>	 <p>Press Lock on each remote to be programmed.</p>	 <p>The LED will flash Green for each remote programmed.</p>	 <p>Turn the Ignition OFF to exit programming.</p>



### CONNECTIONS



### PROGRAMMING MODULE

#### DATA PROTOCOL : TYPE 4 - D2D

- 1 Open "XK Loader"
- 2 Choose Year / Make / Model
- 3 Configure Module features
- 4 Enable "SMART START" without RF
- 5 Flash Firmware

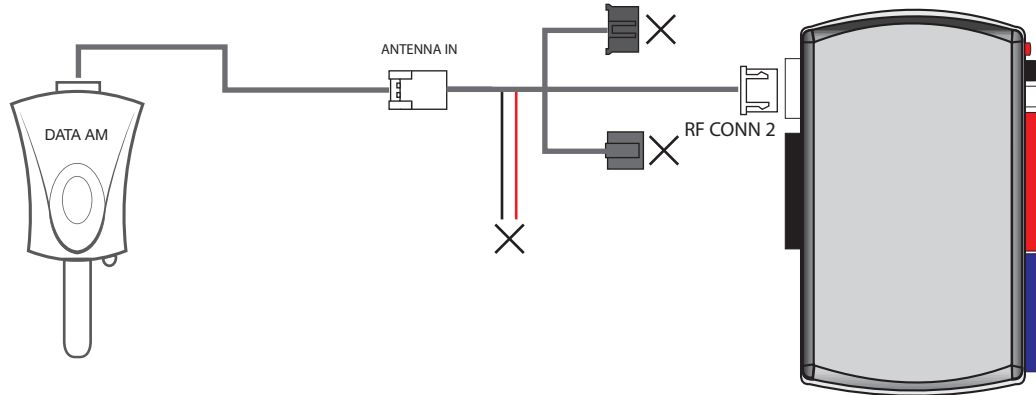
### PROGRAMMING

#### PROGRAMMING REMOTES

- 1 Follow programming guide to program remotes to LoRa Data
- 2 There is no other programming required for operation.

STEP 1	STEP 2	STEP 3	STEP 4	STEP 5
<p>Turn the Ignition ON then OFF 2x leaving it in the ON position at the 2nd time.</p>	<p>Press and release the programming button on the antenna 2 times. The LED will flash 1x then 2x.</p>	<p>Press and hold for 3 seconds until LED flashes turns on solid. Release programming button.</p>	<p>Press the button on each transmitter. LED on antenna will flash 1x for each remote programmed.</p>	<p>Turn the Ignition OFF to exit programming.</p>

### CONNECTIONS



### PROGRAMMING MODULE


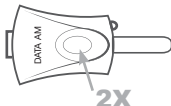


#### DATA PROTOCOL : TYPE 4 - D2D

- 1 Open "XK Loader"
- 2 Choose Year / Make / Model
- 3 Configure Module features
- 4 Enable "SMART START" without RF
- 5 Flash Firmware

### PROGRAMMING

#### PROGRAMMING REMOTES

- 1 Follow programming guide to program remotes to LoRa Data
- 2 There is no other programming required for operation.

STEP 1	STEP 2	STEP 3	STEP 4	STEP 5
				
<p>Turn the Ignition ON then OFF 2x leaving it in the ON position at the 2nd time.</p>	<p>Press and release the programming button on the antenna 2 times. The LED will flash 1x then 2x.</p>	<p>Press and hold for 3 seconds until LED flashes turns on solid. Release programming button.</p>	<p>Press the button on each transmitter. LED on antenna will flash 1x for each remote programmed.</p>	<p>Turn the Ignition OFF to exit programming.</p>