

SOLACE

the evolution of auto-connectivity™



MASTER OWNER'S GUIDE

Revision 5.01

01 - 2018

CONTENTS

TABLE OF CONTENTS

Safety Notes	3	Ready Mode Sequence	14
Warranty	4	Valet Service Mode	17
The Evolution of Auto-Connectivity™	6	Alarm Features	18
Remote Function Legend	7	Transmitter Learning	19
Remote Function Chart	9	Battery Replacement	19
2-Way LCD Remote Features	11	Remote Sleep Mode	20
Status Request	11	Eco-run Technology	20
Entering Function Menu	11		
Setting Clock & Precise Remote Start	11		
Setting Remote Features	12		
Basic Vehicle Commands	12		
Lock	12		
Unlock	12		
Driver's Priority Unlock	13		
Trunk Release	13		
Start	13		
Idle Mode	13		
Turbo Timer	13		
Silent Lock/Unlock	14		
Aux 1 - 4	14		
Car Finder	14		
Panic Mode	14		

IMPORTANT SAFETY NOTES

Carbon Monoxide Poisoning:

The owner/user **MUST INSTALL** a CARBON MONOXIDE DETECTOR in the living area near to where the vehicle is being stored or parked. It is the sole responsibility of the owner/user to keep the remote transmitters away from the reach of children and handle with care so that the system does not unintentionally start. When the vehicle is parked in an enclosed/partially enclosed area (for example: a garage or car port), being serviced, or if the vehicle is loaned to an operator not familiar with a remote starter, the system **MUST BE** placed in Service (Valet) Mode.

NEVER OPERATE THE SYSTEM IN AN ENCLOSED/PARTIALLY ENCLOSED AREA!

Hybrid Remote Starters for Automatic & Manual Transmissions:

The installation of a remote starter **MUST BE DONE ONLY** with a specified remote starter. Hybrid Remote Starters have both an automatic transmission and manual transmission mode. It is the responsibility of the vehicle's operator to ensure that:

- (a) when the remote starter is in use with a vehicle equipped with a manual transmission, the transmission remains in the NEUTRAL POSITION ONLY.

- (b) when the remote starter is in use with a vehicle equipped with an automatic transmission, the transmission remains in the PARK POSITION ONLY.

It is the sole responsibility of the operator of the vehicle to insure the transmission positions described herein are maintained at any time the remote starter is in use. In no case shall the manufacturer or Solace be liable for any damages of any kind whatsoever including but not limited to damages for personal injury or loss of life arising by virtue of a remote starter being used when the transmission of the vehicle in question is not set as mandated herein.

WARRANTY

Solace Technologies Ltd. (“Solace”) promises to the original purchaser to repair or replace (at Solace’s discretion) with a comparable reconditioned model any Solace unit (hereafter the “unit”), excluding without limitation the siren, the remote transmitters, antennas, the associated sensors and accessories, which proves to be defective in workmanship or material under reasonable use during the lifetime of the vehicle provided the following conditions are met: the unit was purchased from an authorized Solace dealer, the unit was professionally installed and serviced by an authorized Solace dealer; the unit will be professionally re-installed in the vehicle in which it was originally installed by an authorized Solace dealer; and the unit is returned to Solace, shipping prepaid with a legible copy of the bill of sale or other dated proof of purchase bearing the following information: consumer’s name, telephone number and address; the authorized dealers name, telephone number and address; complete product description, including accessories and the year, make and model of the vehicle.

ACCESSORIES

Solace warrants to the original consumer purchaser only (non-transferable) that it will replace any Solace

accessory part for a one-year period from date of purchase. Accessories will only be replaced if proven defective in material or workmanship, and if, when the accessory is returned to the point of purchase, the retailer is provided with a copy of the proof of purchase.

the “fine print”

THIS LIMITED LIFETIME WARRANTY SHALL CONSTITUTE THE SOLE LIABILITY OF SOLACE FOR OUR PRODUCTS, AND IS IN LIEU OF ALL OTHER WARRANTIES, EXPRESSED OR IMPLIED. THERE ARE NO WARRANTIES OF MERCHANTABILITY AND FITNESS FOR A PARTICULAR PURPOSE. NO PERSON, FIRM OR CORPORATION IS AUTHORIZED TO ASSUME FOR SOLACE ANY OTHER LIABILITY WITH RESPECT TO THE SALE OR USE OF OUR PRODUCTS. SOLACE’S LIABILITY, WHETHER BASED ON CONTRACT, TORT, AND WARRANTY, STRICT LIABILITY, OR ANY OTHER THEORY, SHALL NOT EXCEED THE PRICE OF THE INDIVIDUAL UNIT WHOSE DEFECT FOR DAMAGE IS THE BASIS OF THE CLAIM. UNDER NO CIRCUMSTANCE WILL SOLACE, ITS DISTRIBUTORS OR THEIR AGENTS BEAR ANY LIABILITY WHATSOEVER FOR INCIDENTAL OR CONSEQUENTIAL DAMAGES.

MORE INFORMATION

<http://solaceremotestarters.com/manuals.php>

FCC Notice

This device complies with Part 15 of the FCC rules.

Operation of this device is subject to the following conditions:

- (1) This device may not cause harmful interference, and
- (2) This device must accept any interference received, including interference that may cause undesired operation.
- (3) CAUTION: Changes or modifications not expressly approved by the part responsible for compliance void the user's authority to operate this device.

The Evolution of Auto-Connectivity™

The Solace remote starter is an advanced remote vehicle starter. This system has the most innovative features and customization available of any brand on the market today. It has state-of-the-art protection circuits that will never leave a customer stranded. This remote start system will work on most vehicles (extra parts may be required). We use only the most powerful and dependable components available.

All of our remotes have a “family feel” and incorporate OEM-like quality and appearance. All features will be easily accessible from the remote, with full control of all functions the remote starter controls on the vehicle.

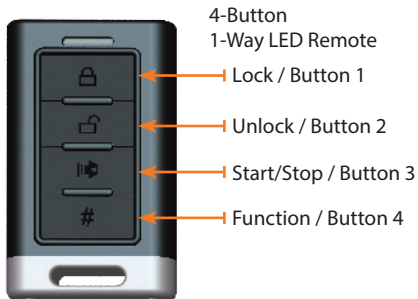
All of our units are compatible with GPS and Smartphone application modules which will allow all features to be controlled by a smartphone (iPhone, Blackberry, and Android) (extra parts are required).

Solace has been engineered, designed and tested in Edmonton, Alberta, Canada in some of the most extreme climate conditions. Whether it is warming up your car in the freezing cold of winter, or cooling it down in the heat of the summer, you can rely on Solace to work for you.

TRANSMITTER OPERATION

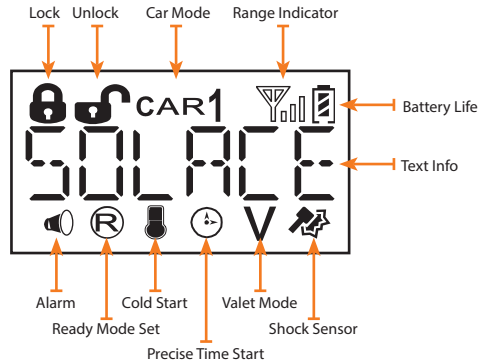
Remote Functions / Button Layout

The following is a summary of the buttons used to control basic functions of the remote starters.



TRANSMITTER OPERATION

Remote Functions / Button Layout / LCD Icons



The following is a summary of the buttons used to control basic functions of the remote starters.

REMOTE FUNCTIONS

COMMAND	1 BUTTON	1-WAY / 2-WAY LED	2-WAY LCD	FUNCTION
	2 BUTTON			
Lock/Arm	BUTTON 1 (HOLD 2 SECS.)	BUTTON 1	BUTTON 1	Lock doors & arm alarm system
	BUTTON 1			
Unlock/Disarm	BUTTON 1 (TWICE)	BUTTON 2	BUTTON 2	Unlock doors & disarm alarm system
	BUTTON 1			
Silent Lock/Unlock	N/A	BUTTONS 1 AND 2 TOGETHER	BUTTONS 1 AND 2 TOGETHER	Silently lock/unlock, arm/disarm vehicle
	N/A			
Trunk Release	N/A	BUTTON 4 (HOLD 2 SECS.) OR BUTTON 2 (HOLD 2 SECS.)	BUTTON 2 (HOLD 2 SECS.)	Opens Trunk (may unlock doors)
	N/A			
Start	BUTTON 1	BUTTON 3	BUTTON 3	Remote start vehicle
	BUTTON 2			
Extend Run Time or Idle Mode (with Engine Running)	BUTTON 1	BUTTON 3	BUTTON 3	Extends runtime by 10 minutes
	BUTTON 2			
Remote Shutdown	BUTTON 1 (HOLD 2 SECS.)	BUTTON 3 (HOLD 2 SECS.)	BUTTON 3 (HOLD 2 SECS.)	Remote stop the vehicle while running
	BUTTON 2 (HOLD 2 SECS.)			
Turbo Mode Remote Activation (with Engine Running)	N/A	BUTTON 4	BUTTON 4	Activates turbo timer countdown
	N/A			
Status Request	N/A	BUTTON 4 (2-WAY ONLY)	BUTTON 4	Displays status of vehicle
	N/A			
Temperature Status Request	N/A	N/A	BUTTON 4 (3X)	Displays ambient interior temperature of vehicle
	N/A			
Voltage Status Request	N/A	N/A	BUTTON 4 (4X)	Displays the voltage of the vehicle's battery
	N/A			

REMOTE FUNCTIONS (advanced)

COMMAND	1-WAY/2-WAY LED	2-WAY LCD	FUNCTION
Car Finder	BUTTONS 3 & 4	FUNCTION MENU (HOLD BUTTON 4 FOR 2.5 SECONDS)	Activates siren/horn on vehicle and flashes park lights for 5 seconds
Panic	BUTTON 1 (HOLD FOR 2.5 SECONDS)	BUTTON 1 (HOLD FOR 2.5 SECONDS)	Honks horn, siren and park lights flash (if applicable) for programmed alarm duration
Driver's Priority Unlock (if installed)	BUTTON 2 (2X WITHIN 3 SECONDS)	BUTTON 2 (2X WITHIN 3 SECONDS)	Driver's door will unlock first then on second press all doors unlock
Cold Start Selection (must be enabled each time for use)	BUTTONS 1 & 3 (HOLD FOR 3 SECONDS)	BUTTONS 1 & 3	Toggles cold start mode on/off
Auxiliary 1	BUTTONS 1 & 4	BUTTON 1 & 4	Activates AUX 1
Auxiliary 2	BUTTONS 2 & 4	BUTTON 2 & 4	Activates AUX 2
Auxiliary 3	N/A	FUNCTION MENU	Activates AUX 3
Auxiliary 4	N/A	FUNCTION MENU	Activates AUX 4
Remote Sleep Mode	N/A	BUTTONS 1 & 2	Puts Remote to Sleep No functions available while in Sleep Mode

STATUS REQUEST ON 2-WAY LCD REMOTE

1. Pressing Button 4 once will tell you if your vehicle is locked or unlocked.
2. Pressing Button 4 again within 4 seconds will show your Remote Start Runtime remaining
3. Pressing Button 4 a third time within 4 seconds of the last command will show your Interior Ambient Temperature in the vehicle.
4. Pressing Button 4 a fourth time within 4 seconds of the last command will show you the vehicle battery voltage.

ENTERING FUNCTION MENU ON 2-WAY LCD REMOTE

1. Push and Hold Button 4 and wait for FMENU to appear on LCD screen
2. Use Button 1 to scroll through the Menu Options
3. To set desired option, scroll to option and press Button 4.

MENU #	DESCRIPTION
1 - AUX 1	Activates AUX 1 output
2 - AUX 2	Activates AUX 2 output
3 - AUX 3	Activates AUX 3 output
4 - AUX 4	Activates AUX 4 output
5 - FIND	Honks Horn and Flashes Park Lights 5 times
6 - COLD	Turns Cold Start ON/OFF (Programmable through Menu 2-08, 2-09, 2-10)
7 - VLET	Turns Service or Valet Mode ON/OFF
8 - ALRM	Turns Alarm Functions ON/OFF (Alarm Functions must be turned ON in programming menu to work)
9 - SHCK	Disables Shock Sensor and AUX Shock Sensor

SETTING CLOCK & PRECISE TIME START IN 2-WAY LCD REMOTE

1. To enter Programming Mode press and hold Buttons 1 & 4 together for 3 seconds.
2. Using Button 1 to scroll through the Menu Options. Button 2 will decrease and Button 3 will increase minutes and hours in the selected menu.
3. The "Clock" icon will appear on the LCD screen when you are setting the Precise Time Start. If it is not displayed, you are setting the 2-Way LCD Remote Clock.
4. Press Button 4 to Exit the Setting Menu.

SETTING REMOTE FEATURES ON 2-WAY LCD REMOTE

1. Push and Hold Button 4 and wait for FMENU to appear on LCD screen.
2. Press Button 2 to enter the menu and use Button 1 to scroll through the Sub Menus.
3. Use Button 2 to set the option and advance you to the next step.
4. Press Button 4 to exit the FMENU.

MENU #	DESCRIPTION
1 - CLK	Turns Precise Time Start On/Off
2 - CAR 1	Switches between Car 1 & Car 2 (operates different car with same remote*)
3 - VIB	Turns Vibrate feature on remote On/Off
4 - F	Cycles between Celsius and Fahrenheit for interior ambient temperature display
5 - BLUE/ WHITE	Changes LCD screen colour from Blue or White

*requires installation of Solace Remote Starter Module in second car.

SETTING EXTRA FEATURES ON 2-WAY LCD REMOTE

1. Push and Hold Button 4 and wait for FMENU to appear on LCD screen.
2. Press Button 3 to enter the menu and use Button

1 to scroll through the Sub Menus.

3. Use Button 1 to set the option and advance you to the next step.
4. Press Button 4 to exit the FMENU.

MENU #	DESCRIPTION
1 - TEMP	Sets temperature for cold start
2 - RUN	Sets Remote Start Runtime

LOW BATTERY WARNING

On 2-way LCD remotes there is a low battery warning that will sound three long chirps after any command sent and display "low bat". This is an indicator to charge your battery when possible.

BASIC VEHICLE COMMANDS (1-WAY AND 2-WAY)

LOCK - Pressing Button 1 for less than 2 seconds will lock the vehicle's doors (if power locks connected). The park lights will flash once and the siren/horn will honk/chirp once. The LED's on the antenna will begin to flash. If a security system is installed the system will be armed, along with starter disable activated (extra parts and/or install required).

UNLOCK - Pressing Button 2 for less than 2 seconds will unlock the vehicle's doors (if power

locks connected). The park lights will flash twice and the siren/horn will honk/chirp twice. The LED's on the antenna will stop flashing. If a security system is installed the system will be disarmed, along with starter disable deactivated.

DRIVER'S PRIORITY UNLOCK - When programmed you can set up your vehicle up to perform driver's priority unlock. Only the driver's door will unlock when pressing button 2 for less than 2 seconds. Pressing button 2 a second time for less than 2 seconds will unlock the rest of the vehicle's doors.(Extra Installation may be required)

TRUNK RELEASE - Pressing Button 2 (4 on 1WAM) for more than 2 seconds will activate the trunk release. When activated this function will first unlock the doors, disarm any security system and then open the trunk. The park lights will flash three times and the siren/horn will honk/chirp three times.

START - Pressing Button 3 for less than 2 seconds will activate the remote start sequence. The park lights will flash once and the siren/horn will honk/chirp once, then the vehicle will start. Once the vehicle is started the park lights will stay on solid and the vehicle will run for the set runtime and shut down and flash the park lights twice and siren/horn will honk/chirp twice. The 2-way LCD remote will receive a command back and display

the runtime remaining.

If you would like to extend the remote start runtime you can do so by pressing button 3 for less than 2 seconds, this will add 10 minutes to the remaining runtime. With the vehicle running under remote start, pressing and holding button 3 for more than 2 seconds will shut off the remote start.

IDLE MODE - With the vehicle running by key, pressing button 3 for less than 2 seconds will activate idle mode (stop and go). With the vehicle running and key in the ignition, be sure foot brake is not on and the vehicle is in PARK or NEUTRAL and E-BRAKE on (manual transmission). Press button 3 for less than 2 seconds; the park lights will turn on and the siren/horn will honk/chirp once. You can now remove the key from the ignition and the vehicle will remain running. The vehicle will run for the set runtime and shut off if left that long.

TURBO TIMER MODE - In the case your vehicle is equipped with a turbocharged engine, it is recommended to cool down the turbocharger. With the vehicle running and key in the ignition, be sure foot brake is not on and the vehicle is in PARK or NEUTRAL and E-BRAKE on (manual transmission). Press button 4 for less than 2 seconds, the park lights will turn on and the siren/horn will honk/chirp once. You can now

remove the key from the ignition and the vehicle will remain running for the programmed turbo timer runtime and then shut off. (This can also be programmed to activate automatically every time you exit the vehicle. Contact your dealer for more details)

SILENT LOCK/UNLOCK - If you wish to lock/arm or unlock/disarm your vehicle silently you can do so by pressing buttons 1 and 2 together for less than 2 seconds. This will toggle between lock and unlock. This is only a temporary bypass of the audible lock/arm, unlock/disarm and will return to normal by pressing lock or unlock.

AUXILIARY 1 - Pressing buttons 1 and 4 together for less than 2 seconds (on 1-way & 2-way LED remotes) or enter FMENU on the 2-Way LCD remote, will activate the AUX 1 which can be configured to open/close sliding doors, trunk release, sunroofs, etc. (extra parts and labor may be required). When activated this function will first unlock the doors, disarm any security system and then activate the auxiliary. The park lights will flash three times and the siren/horn will honk/chirp three times.

AUXILIARY 2 - Pressing buttons 2 and 4 together for less than 2 seconds (on 1-way & 2-way LED remotes) or enter FMENU on the 2-Way LCD remote, will

activate the AUX 2 which can be configured to open/close sliding doors, trunk release, sunroofs, etc. (extra parts and labor may be required). When activated this function will first unlock the doors, disarm any security system and then activate the auxiliary. The park lights will flash three times and the siren/horn will honk/chirp three times.

AUXILIARY 3 - Enter FMENU on the 2-Way LCD remote will activate the AUX 3 which can be configured to open/close sliding doors, trunk release, sunroofs, etc. (extra parts and labor may be required). When activated this function will first unlock the doors, disarm any security system and then activate the auxiliary. The park lights will flash three times and the siren/horn will honk/chirp three times.

AUXILIARY 4 - Enter FMENU on the 2-Way LCD remote will activate the AUX 4 which can be configured to open/close sliding doors, trunk release, sunroofs, etc. (extra parts and labor may be required). When activated this function will first unlock the doors, disarm any security system and then activate the auxiliary. The park lights will flash three times and the siren/horn will honk/chirp three times.

CAR FINDER - Pressing buttons 3 and 4 together simultaneously will chirp the horn and siren for 3 seconds in order to find your car in a parking lot. The park lights will also flash for this time.

PANIC MODE - If button 1 is pressed and held for more than 2 seconds panic mode will be activated. This will honk the horn, turn the siren on (if connected), and flash the park lights for the programmed duration.

COLD START - To activate Cold Start, press Buttons 1 and 3 together (on AM remotes hold for 3 seconds). This will then activate the programmed Cold Start and start your car at the programmed temperature and time. To deactivate Cold Start, press Buttons 1 and 3 together (on AM remotes hold for 3 seconds) or cycle the ignition ON-OFF. The park lights and horn will honk 1 time for ON mode and 2 times for OFF mode. Cold start must be enabled everytime after the vehicle has been driven.

READY MODE SEQUENCE (MANUAL TRANSMISSION)

There are 3 different ways to activate "READY MODE". This is necessary to ensure that a manual transmission vehicle is in neutral with the emergency brake on and all doors are shut. To have a different "ready mode" activation please ask your dealer to program the desired method. If any door is opened or park brake disengaged

after "ready mode" has been initialized, the remote start WILL NOT work and a "not in ready mode" diagnostic will appear when attempting to remote start.

OPTION 1 (default) - Emergency brake activation

1. With vehicle running by key and the vehicle in neutral, apply the emergency brake.
2. The park lights will turn on.
3. Remove the key from the ignition cylinder (the vehicle will remain running).
4. Exit the vehicle; upon closing the last door Press the Lock Button and the vehicle will shut off.
5. The vehicle is now in ready mode and the "Ready Mode" icon will appear on the 2-way remote and can now be started by remote.

OPTION 2 - Brake pedal activation.

1. With vehicle running by key and the vehicle in neutral, apply the emergency brake and depress the foot brake twice within 2 seconds.
2. The park lights will turn on.
3. Remove the key from the ignition cylinder (the vehicle will remain running).
4. Exit the vehicle, upon closing the last door the Press Lock and the vehicle will shut off.
5. The vehicle is now in ready mode and the "Ready Mode" icon will appear on the 2-way remote and can now be started by remote.

OPTION 3 - Remote activation

1. With vehicle running by key and the vehicle in neutral, apply the emergency brake and press button 4 on the remote.
2. The park lights will turn on.
3. Remove the key from the ignition cylinder (the vehicle will remain running)
4. Exit the vehicle; upon closing the last door, Press and hold the Start button and the vehicle will shut off.
5. The vehicle is now in ready mode and the "Ready Mode" icon will appear on the 2-way remote and can now be started by remote.

OPTION 4 - Idle mode

1. With vehicle running by key and the vehicle in neutral, apply the emergency brake and press button 3 on the remote.
2. The park lights will turn on.
3. Remove the key from the ignition cylinder (the vehicle will remain running)
4. Exit the vehicle; upon closing the last door the vehicle will stay running until you press and hold button 3 to shut down the vehicle.
5. The vehicle is now in ready mode and the "Ready Mode" icon will appear on the 2-way remote and can now be started by remote.

If you press button 3 on the remote with the emergency brake engaged the remote starter will go into idle mode and WILL NOT shut down after the last door is closed. It will run for the set run time then shut off and remain in "ready mode". You can also shut the vehicle off after the last door is closed by pushing and holding button 3 for more than 2 seconds. This is convenient if you have to get anything from other doors after closing the driver's door.

IMPORTANT - If any door is opened while the vehicle is not running and in "ready mode" the system will automatically exit "ready mode" and remote start feature will be deactivated. You will need to re-initialize the "ready mode" sequence again. If you need to access the vehicle while it is in "ready mode" you can remote start the vehicle, open the door as you wish, then shut down the vehicle by remote and the remote starter will remain in "ready mode".

VALET/SERVICE MODE

This will disable all remote start and security features of the system. When in valet mode the lock, unlock, and trunk features will still work. The system MUST be put into service/valet mode whenever any work is to be done on the vehicle, or parked in any enclosed/partially enclosed area

ENTERING SERVICE MODE

1. Turn the key to the "Ignition On" or "RUN" position.
2. Press and hold the programming button located on the remote starter antenna (located on windshield) for 8 seconds or until the horn/siren pulses 5 times. If programmed for Secure Valet hold program button for 30 seconds instead of 8 seconds.

The system is now in Valet/Service mode. To confirm this, the LED on the antenna will be solid and if a start is attempted you will get a VALET diagnostic code from the park lights.

EXITING SERVICE MODE

1. Turn the key to the "Ignition On" or "RUN" position.

2. Press and hold the programming button on the remote starter antenna (located on windshield) for 8 seconds or until the horn/siren pulses 2 times. If programmed for Secure Valet hold program button for 30 seconds instead of 8 seconds.

The system is now out of Valet/Service mode. To confirm this, the LED on the antenna will be off or flashing and if a start is attempted the vehicle will start successfully.

ALARM FEATURES

You **MUST** turn on alarm features in order for this unit to operate as a starter/alarm combo. It is Menu 3-03 - Option 2.

You can set up this unit to monitor door pins, ignition, hood, and trunk like a factory style content alarm system, or you can add the "Alarm Kit" which includes a Dual Stage Shock Sensor and a Siren. With this kit installed you will have complete protection from any impact to your vehicle.

The Shock sensor has 2 triggers. Warn away lets the user know that there was a light impact alarm trigger. If the car receives a light impact the siren will chirp 3 times and the park lights will flash to warn away any possible intruders. If the car receives a hard impact, the siren and/or horn will sound and the park lights will flash for the programmed alarm time. (Default is 60 seconds)

This unit is also capable of installing extra sensors such as tilt/motion sensors, audio sensors, and microwave sensors etc. This is a separate sensor port and will not affect the sensitivity of the D/A shock sensor.

Shock sensor bypass - To temporarily bypass any alarm sensors plugged in simply press button 1 then button 2 within 1 second. This will ignore any triggers from any sensors plugged into the remote starter/alarm.

The sensors will be reactivated the next time the system is armed by remote.

ALARM FAILURE DIAGNOSTICS

If you arm the system and there is an open zone, the alarm system will honk/siren 3 times notifying you of the open zone. If equipped with a 2-way LCD remote, the open zone will be displayed on the screen.

ALARM TRIGGER	PARK LIGHT FLASHES	2-WAY LCD TEXT
Shock Sensor	3	Shock Alarm
Foot Brake	4	Brake Alarm
Door	5	Door Alarm
Hood	6	Hood Alarm
Aux	7	Aux Alarm
Ignition	8	Ign Alarm

The LCD back light will alternate between white and red and follow up with an audible warning when an alarm trigger has been detected.

TRANSMITTER LEARNING

Important! The remote starter will hold 3 transmitter codes. It is recommended that when programming in transmitters, you fill up all four transmitter codes, even if only using one or two transmitters. This will clear all other transmitter coding from the unit and prevent stray coding or possible interference from other remote transmitters.

1. Turn ignition ON-OFF-ON.
2. Press the valet switch TWICE (button) in the antenna, siren/horn (optional) will chirp once each time button is pressed.
3. Press and hold the valet switch, siren/horn will chirp 3 times & parking lights will turn on to indicate you have entered Transmitter Learning Mode.
4. Press button 1 (Lock) of every transmitter to be coded. The siren/horn will chirp once and the parking lights will flash once to indicate successfully learning. System will exit Learn Mode and lights will turn off after 15 seconds of no activity.
5. Turn ignition OFF and the unit will exit code-learning mode.

BATTERY REPLACEMENT

If you notice decreased range in your remote transmitter, it is possible that your transmitter battery needs to be replaced. To replace your battery:

ON 1-WAY REMOTE TRANSMITTER:

1. Remove the small Phillips screw on the back side of the remote.
2. Once removed gently pull the remote transmitter apart, taking care not to damage the circuit board.
3. Remove the battery and replace with a new battery. If you having trouble finding the proper size of the battery, the model number is printed on the battery casing.
4. Replace back cover of remote transmitter and replace Phillips screw.

ON 2-WAY LED & 2-WAY LCD REMOTES:

1. The batteries in these remotes are rechargeable. To recharge the battery, locate the rechargeable cable input on the side of the remote.
2. Plug in the supplied recharge cable that came with your remote starter and let the remote transmitter charge till LED Charged Status illuminates. (if your charger/cable is not equipped with an LED charge time is approx 2 hours).

REMOTE SLEEP MODE

Available on the 2-Way LED and 2-Way LCD remote transmitters, this function allows you to put your remote into Sleep Mode so that you do not have unnecessary battery life drain when away from your vehicle for extended period of time.

Press and Hold Buttons 1 and 2 together for approximately 8 seconds to put your remote into Sleep Mode or to take it out of Sleep Mode. The remote will beep a few times indicating OFF/ON.

eco-run

This Solace Remote Starter is equipped with eco-run technology. This technology has been designed to not only save money on fuel, but also save emissions going into the environment. Eco-run can be used to follow anti-idling laws, and/or automatically shut your vehicle off once at the desired interior ambient cabin temperature, saving fuel and wear and tear on your vehicles motor.

There are three different programmable options to achieve your level of savings.

eco-run START TEMPERATURE

This setting allows you to adjust the temperature as

to which your vehicle will start. When below this set temperature the vehicle will run for the set run time, if above the set temperature your vehicle will run for 1 minute. This option can be used for anti-idling laws and/or reduced run time when the temperature is warmer.

eco-run RUN TIME

This setting allows you to adjust how long the vehicle will run when remote started in eco-run mode, conforming to anti-idling laws in all areas. This setting will work in conjunction with the start temperature and the run temperature.

eco-run RUN TEMPERATURE

This setting monitors the interior cabin temperature of the vehicle and shuts down the remote starter once the preset (or desired) temperature has been reached.

Any of the features for eco-run MUST be initialized at the time of install. Please ask your Solace dealer for more details.

REMOTE START FAILURE DIAGNOSTICS

FAULT	PARK LIGHT FLASHES	2-WAY LCD TEXT
Not In Ready Mode	3	Reserve Fault
Foot Brake On	4	Brake Fault
Valet Mode	5	Stop
Hood	6	Hood Fault
Failed Start/No Tach Programmed	7	Tach Fault
Ignition On	8	Ign Fault

Please see Solace Dealer for repairs.

RESET 7 FLASH PARK LIGHT DIAGNOSTIC on REMOTE START

If at any time your vehicle fails to start for any reason the Solace remote starter may go into protection mode. To re-learn perform the following steps:

1. Start vehicle by key/push button.
2. Press and hold the foot brake.
3. Press and release the programming button 1 time (+ button on receiver by rear view mirror)
4. Release the foot brake.
5. Wait 15 Seconds.
6. Turn vehicle off.
7. Remote Start

If your vehicle still does not remote start please contact your nearest Solace dealer.

SOLACE

the evolution of auto-connectivity™

For more information please visit our website:

www.SolaceRemoteStarters.com